

Sl. No. :

016124

**DIAA**

Register  
Number

--	--	--	--	--	--	--	--

**2012**

**ARCHITECTURAL ASSISTANTSHIP**

**Time Allowed : 3 Hours ]**

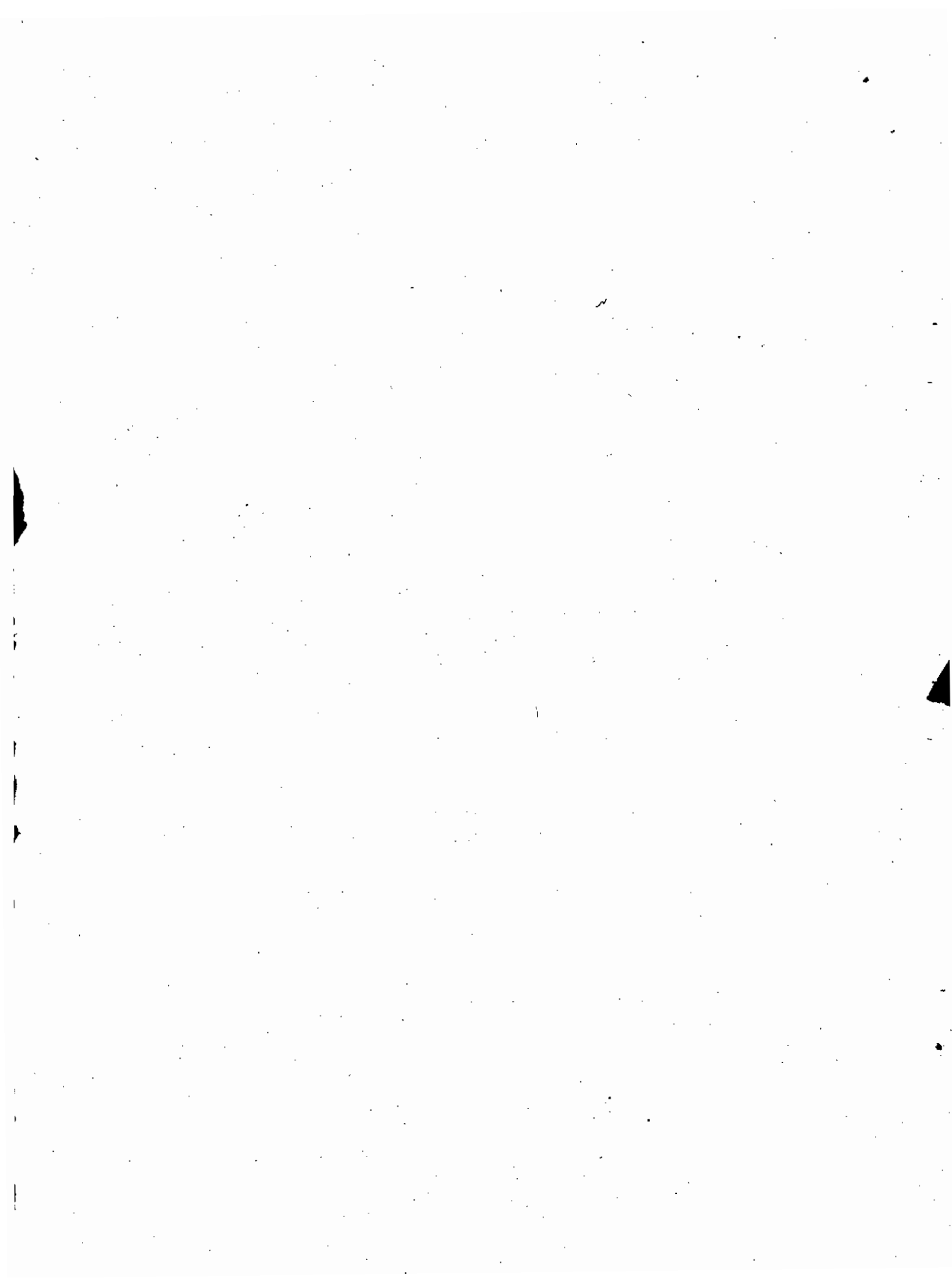
**[ Maximum Marks : 300**

**Read the following instructions carefully before you begin to answer the questions.**

**IMPORTANT INSTRUCTIONS**

1. This Booklet has a cover ( this page ) which should not be opened till the invigilator gives signal to open it at the commencement of the examination. As soon as the signal is received you should tear the right side of the booklet cover carefully to open the booklet. Then proceed to answer the questions.
2. This Question Booklet contains **200** questions.
3. Answer **all** questions.
4. **All** questions carry equal marks.
5. You must write your Register Number in the space provided on the top right side of this page. Do not write anything else on the Question Booklet.
6. An Answer Sheet will be supplied to you separately by the Invigilator to mark the answers. You must write your Name, Register No., Question Booklet Sl. No. and other particulars on side 1 of the Answer Sheet provided, failing which your Answer Sheet will not be evaluated.
7. You will also encode your Register Number, Subject Code, Question Booklet Sl. No. etc., with Blue or Black ink Ball point pen in the space provided on the side 2 of the Answer Sheet. If you do not encode properly or fail to encode the above information, your Answer Sheet will not be evaluated.
8. Each question comprises *four* responses (A), (B), (C) and (D). You are to select **ONLY ONE** correct response and mark in your Answer Sheet. In case you feel that there are more than one correct response, mark the response which you consider the best. In any case, choose **ONLY ONE** response for each question. Your total marks will depend on the number of correct responses marked by you in the Answer Sheet.
9. In the Answer Sheet there are **four** brackets [ A ] [ B ] [ C ] and [ D ] against each question. To answer the questions you are to mark with Ball point pen **ONLY ONE** bracket of your choice for each question. Select one response for each question in the Question Booklet and mark in the Answer Sheet. If you mark more than one answer for one question, the answer will be treated as wrong. e.g. If for any item, (B) is the correct answer, you have to mark as follows :  

[ A ]  [ C ] [ D ]
10. You should not remove or tear off any sheet from this Question Booklet. You are not allowed to take this Question Booklet and the Answer Sheet out of the Examination Hall during the examination. After the examination is concluded, you must hand over your Answer Sheet to the Invigilator. You are allowed to take the Question Booklet with you only after the Examination is over.
11. Failure to comply with any of the above instructions will render you liable to such action or penalty as the Commission may decide at their discretion.
12. Do not tick-mark or mark the answers in the Question Booklet.
13. The last sheet of the Question Booklet can be used for Rough Work.



1. Equation for simple bending, if  $M$  is B.M.,  $p$  is stress, at  $y$  distance from N.A.,  $I$  is M.I. and  $E$  is Young's Modulus, is

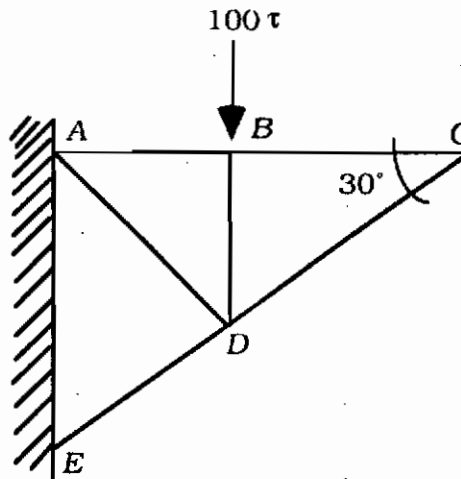
A)  $M/I = R/E = f/y$

B)  $M/I = E/R = y/f$

C)  $M/I = E/R = f/y$

D)  $M/E = R/E = y/f$

2. In this 'truss' diagram, the force in member DC is



A)  $100\tau$  compression

B)  $100\tau$  tensile

C) 0 (zero)

D) intermediate.

3. If two forces of 3 kN and 4 kN act at right angles to each other, their resultant force will be equal to

A) 7 kN

B) 1 kN

C) 5 kN

D) none of these.

4. The unit of moment of inertia of an area is

A) kg/m

B)  $\text{kg/m}^2$

C)  $\text{m}^4$

D)  $\text{m}^3$ .

5. The moment of inertia of a square of side ' $b$ ' about an axis through its centre of gravity is

A)  $\frac{b^3}{4}$

B)  $\frac{b^4}{12}$

C)  $\frac{b^4}{3}$

D)  $\frac{b^4}{36}$



11. Strain energy per unit volume due to pressure on all sides is equal to

A)  $\sigma^2/2K$

B)  $2\sigma^2/K$

C)  $\sigma^2/K$

D)  $\sigma/2K$ .

12. The intensity of compressive resistance is

A)  $\frac{A}{P}$

B)  $\frac{P}{A}$

C)  $\frac{B}{P}$

D)  $\frac{P}{B}$ .

13. The compressive strain is

A)  $\frac{dl}{l}$

B)  $\frac{l}{dl}$

C)  $\frac{l^2}{dl}$

D)  $\frac{dl}{l^2}$ .

14. The Hooke's law is

A)  $\frac{\text{Intensity of stress}}{\text{strain}} = \text{constant}$

B)  $\frac{\text{constant}}{\text{strain}} = \text{stress}$

C)  $\frac{\text{velocity of stress}}{\text{strain}} = \text{constant}$

D) none of these.

15. Volume modulus of elasticity is the ratio between

A) tensile stress to tensile strain

B) compressive stress to compressive strain

C) shear stress to shear strain

D) normal stress to volumetric strain.

16. Fixed beam is
- A) one end is fixed and other end is free
  - B) both ends freely rest on the walls
  - C) both ends are rigidly fixed
  - D) none of these.
17. In a simply supported beam carrying a uniformly distributed load of  $w$  per unit run over the whole span, the maximum B.M. is equal to
- A)  $wl^2/4$
  - B)  $wl^3/8$
  - C)  $wl^2/8$
  - D)  $wl^3/6$ .
18. Terracotta is made of
- A) raw mud
  - B) burnt clay
  - C) stabilised earth
  - D) none of these.
19. Fibre wool, cork, gunny cloth, thermocole etc., are
- A) packing materials
  - B) insulation materials
  - C) combustible materials
  - D) none of these.
20. Jack wood, Jamun wood, Pillamaruthu etc. are
- A) Primary timber
  - B) Secondary timber
  - C) Tertiary timber
  - D) Firewood.
21. Dovetail, lap, tongue & groove etc. are terms used in
- A) Machinery
  - B) Foundry
  - C) Joinery
  - D) all of these.

22. Slump test for the concrete is to

- A) find the workability of concrete  
B) measure the uniformity of concrete  
C) gauge the strength of the concrete  
D) none of these.

23. What is sap stain in wood ?

- A) Wood loses its colour  
B) Strength of wood increases  
C) Size of the wood decreases  
D) Chemical decomposition of wood.

24. Mineral wool is

- A) Good heat conductor  
B)  Good thermal insulator  
C) High temperature value  
D) Good sound absorption material.

25. When finely ground gypsum is heated up to 200°C, it loses the entire water of crystallization and the resultant product is known as

- A) Plaster of Paris  
B) Hemihydrate  
 C) Gypsum anhydride  
D) Anhydrous Gypsum Plaster.

26. Marble stone belongs to

- A) Sedimentary rock  
B)  Metamorphic rock  
C) Igneous rock  
D) Argillaceous rock.

27. The function of Alumina present in the brick earth is to

- A) impart plasticity  
B) prevent cracking  
C) decrease shrinkage  
D) increase strength.

28. What is slaked lime ?

- A) Hydrated lime  
B) Fat lime  
C) Lump lime  
D) Caustic lime.

29. Application of tin is in

- A) transducers  
B) conductors for starters  
C) bulb filaments  
 D) low current fuses.

30. .... tar is produced by distillation of bituminous shales.

- A) Coal  
B) Wood  
 C) Mineral  
D) Alloy.

31. PVC stands for

- A) Polyvinyl chloride  
B) Polythene vinyl chloride  
C) Phosphorous vanadium carbide  
D) Plastic very compact.

32. A substance used to join two or more parts so as to form a single unit is called

- A) abrasive  
B)  adhesive  
C) lubricant  
D) procelain.

33. Process of taking out stones from natural rock bed is known as

- A) weathering  
B) dressing  
C) seasoning  
 D) quarrying.

34. Terra-cotta is a kind of

- A) earthenware  
B) stoneware  
C) porcelain  
D) none of these.



35. Limestone is a

- A) metamorphic rock  
B) plutonic rock  
 C) sedimentary rock  
D) igneous rock.

36. The lime obtained by calcination of comparatively pure limestone is known as

- A) lump lime  
B) slaked lime  
C) plain lime  
 D) quicklime.

37. The composition of slaked lime is

- A)  $\text{Ca}(\text{OH})_2$   
B)  $\text{CaO}$   
C)  $\text{CaCO}_3$   
D)  $\text{Ca}_2\text{O}_6$ .

38. The lime used for whitewashing in plastering walls is called

- A) fat lime  
B) hydraulic lime  
C) poor lime  
D) carbonate lime.

39. The cement which has clay as major constituent is called

- A) Calcareous material  
B) Magnesium material  
C) Aluminium material  
 D) Argillaceous material.

40. The iron manufactured by remelting pig iron with coke & limestone is called

- A) Wrought iron  
B) Steel  
 C) Cast iron  
D) None of these.

41. The Jantar-Mantar at New Delhi has its original version in

- A) Udaipur  
B) Makrana  
C) Kanpur  
 D) Jaipur.

42. Highly decorative column capital is

- A) Doric  
B) Ionic  
C) Tuscan  
D) Corinthian.

43. Evolution of ribbed vault was during

- A) Roman period  
B) Gothic period  
C) Indosaracenic period  
D) Dravidian period.

44. Fatehpur Sikri is built by

- A) Akbar  
B) Shah Jahan  
C) Bairam Khan  
D) Babur.

45. Ziggurat means

- A) Mesopotamian temple  
B) a Greek entrance gate  
C) column capital  
D) none of these.

46. Colosseum in Rome refers to

- A) an Amphitheatre  
B) Museum hall  
C) Great bath  
D) City market.

47. Greek people are renowned for

- A) Scientific construction  
B) Refined perfection  
C) Time  
D) Material innovation.

48. MRF building at Chennai was designed by

- A) Raj Rewal  
B) C.N. Ragavendran  
C) Charles Correa  
D) Anant Raje.



56. Pilasters are widely used during the period
- A) Greek  B)  Roman  
C) Egyptian  D) Gothic.
57. Triumphal arch of Titus is in
- A) Italy  B) England  
 C) Rome  D) India.
58. The great temple of Amman was built for ..... God.
- A) Sun  B)  Moon  
C) Earth  D) Fire.
59. The decorative finishing work adopted by the Mesopotamians is
- A) Glazed & coloured bricks  B) Triple band friezes  
C) Carved stone plinth  D) all of these.
60. The Greek temple of Parthenon is an example of
- A) Ionic order  B)  Doric order  
C) Corinthian order  D) Composite order.
61. The effective length of a fillet weld designed to transmit loading should be ..... the size of weld.
- A) not less than 3 times  B)  not less than 4 times  
C) not less than 5 times  D) not less than 6 times.
62. Suitability of a column depends on
- A) Young's modulus  B)  Slenderness ratio  
C) Beam deflection  D) Deflection of column.

63. The empirical formula  $\frac{1}{p}$  is

A)  $\frac{1}{p_c} + \frac{1}{p_e}$

B)  $\frac{1}{p} + \frac{p}{p_c}$

C)  $\frac{1}{p_e} + \frac{1}{q}$

D)  $\frac{1}{q} + \frac{1}{p_c}$

64. The stress  $f$  in the plate is

A)  $\frac{pd}{5t_n}$

B)  $\frac{pd}{4t_n}$

C)  $\frac{pd}{3t_n}$

D)  $\frac{pd}{2t_n}$

65. The advantage of reinforced concrete is due to

A) monolithic character

B) fire resistance and durability

C) molding in any desired shape

D) all of these.

66. The diameter of longitudinal bars of the column should never be less than

A) 10 mm

B) 12 mm

C) 16 mm

D) none of these.

67. As per IS 456-2000, the reinforcement in a column should never be less than

A) 0.5% and more than 5% of the cross-sectional area

B) 0.6% and more than 6% of the cross-sectional area

C) 0.8% and more than 6% of the cross-sectional area

D) none of these.

68. Load factor is

A) ratio between the ultimate load and working load

B) dead load and ultimate load carrying capacity

C) ultimate strength

D) none of these.

69. Doubly reinforced beam is

- A) heavily reinforced beam
- B) under-reinforced beam
- C) reinforced in tensile and compressive zone
- D) reinforced more than the required limit.

70. The modular ratio ( $M$ ) for any grade of concrete is given by the relation

- A)  $M = \frac{170}{3 C}$
- B)  $M = \frac{180}{2 C}$
- C)  $M = \frac{180}{3 C}$
- D)  $M = \frac{170}{2 C}$

71. When a cantilever is supported at any point in the span, then under vertical load, there will be

- A) two unknown reactions at the fixed end and no reaction at supported end
- B) two unknown reactions at the fixed end and one at supported end
- C) two unknown reactions at the fixed end and two at supported end
- D) no reactions at the fixed end and two at supported end.

72. A cantilever  $ABC$  of uniform section is fixed at  $A$  and propped at  $B$ . A point load  $W$  is applied at the free end  $C$ . Find the ratio of  $AB$  to  $BC$ , so that the reaction at  $B$  is  $1.5 W$ .

- A) 1 : 5
- B) 1 : 3
- C) 5 : 1
- D) 3 : 1.

73. The bending moment for a fixed beam of uniform section loaded with uniformly distributed load is

- A)  $wl^2/12$
- B)  $wl^2/24$
- C)  $wl/24$
- D)  $wl/12$ .



82. The function of reflux valve is to

- A) regulate the flow of water
- B) allow the water to go in one direction
- C) remove air lock
- D) release the pressure.

83. What is turbidity ?

- A) Presence of bacteria in sewage
- B) Cloudy appearance of water
- C) Presence of radioactive material in water
- D) Presence of chemical substance in water.

84. Sullage indicates

- A) Waste water from w/c
- B) Fresh water from bore well
- C) Water from bathroom and kitchen
- D) Sewage water from toilet.

85. Which is not the parameter of water quality ?

- A) Colour
- B) Taste and odour
- C) Volatilization
- D) Turbidity.

86. Potable water should conform to the water quality standards set for human consumption with the pH value preferably

- A) between 6 and 7.5
- B) between 7 and 8.5
- C) between 6.5 and 8
- D) between 7.5 and 9.

87. A sample of ground water has 100 mg/L of  $\text{Ca}^{2+}$  and 10 mg/L of  $\text{Mg}^{2+}$ . Its hardness is

- A) 289.4 mg/L as  $\text{CaCO}_3$
- B) 290.4 mg/L as  $\text{CaCO}_3$
- C) 291.4 mg/L as  $\text{CaCO}_3$
- D) 292.4 mg/L as  $\text{CaCO}_3$ .











118. A telescopic, but straight and lengthy rectangular wooden rod. graduated in metres & in smaller divisions is called as
- A) end poles  
B) masted structure  
 C) wooden staff  
D) staff.
119. A ..... line is that line, which joins some fixed points called stations on the main survey line.
- A) chord  
B)  tie  
C) bon  
D) stringer.
120. .... line connecting same levels of a levelling map is called
- A) Contour  
B) Detour  
C) Tour  
D) Entour.
121. For reading purpose, we need an illumination level of
- A) 150 lux  
B) 250 lux  
 C) 300 lux  
D) 500 lux.
122. Gypsum works as a natural fire-resistant material because
- A) it uses dry construction techniques  
B) it can be used with light weight steel or wood framing  
 C) heat energy is dissipated as the water turns to steam  
D) the gypsum crystals form cracks when the panel's water is converted to steam.
123. Air-conditioning involves
- A) controlling the temperature  
B) controlling the humidity  
C) cleaning the air  
 D) all of these.
124. Use of carbon filters in the air conditioner is
- A) to cool the water  
 B) to remove the dust particles from the air  
C) to condition the air  
D) all of these.

125. The automatic switch-off system in the electrical mains, due to short-circuit is called as

- A) tripper  
B) dripper  
C) blocker  
D) dipper.

126. Which among the following is a renewable energy resource ?

- A) Petroleum products  
B)  Wind  
C) Fire-wood  
D) None of these.

127. In electrical language D.C. refers to

- A) data carrier  
B) direct channelling  
C) direct carrier  
D)  direct current.

128. Indirect sunlight, that gives brightness & light to shaded areas and interiors in daytime is called

- A) moonlight  
B) bright light  
C) sunlight  
D)  daylight.

129. Free standing assembly of switches, circuit breakers, fuses is called as

- A) switch gear box  
B) fuse box  
C) mains circuit breaker  
D) switch box.

130. G.D.D.M. is explained as

- A) Government Diploma in Design Mechanics  
B)  Graphic Daylighting Design Method  
C) Geo-desic Design Methodology  
D) Geometric Drawing & Drawing of Machines.

131. Ultrasonic waves have frequencies above

- A) 20,000 Hz  
B) 2,000 Hz  
C) 2,00,000 Hz  
D) 200 Hz.

132. Build-up of sound within a room resulting from repeated sound wave reflection of all of its surfaces is called
- A) refraction  
✓ C) reverberation  
B) sound foci  
D) dead spots.
133. Discomfort of vision experienced when parts of the visual field are excessively bright in relation to the general surrounding is called as
- A) candela  
C) luminous flux  
✓ B) glare  
D) colour rendering.
134. As hot air tends to rise upwards generally the cool air in surrounding environment fills the space. This phenomenon is called
- A) Venturi effect  
C) Wind scoop  
✓ B) Stack effect  
D) Bernoulli effect.
135. A green object under a red light source appears
- A) Green  
✓ C) Black  
B) Red  
D) Blue.
136. For veiling images, typical eye position above floor should be
- A) 6' 3"  
C) 4' 3"  
✓ B) 5' 3"  
D) 3' 3".
137. The tone of the signal is determined by the rate at which the pressure alternates above & below the ambient atmospheric condition is called
- ✓ A) Frequency  
C) Acceleration  
B) Intensity  
D) Velocity.
138. The wiring system adopted for temporary installation such as functions is
- A) TRS wiring  
C) conduit wiring  
✓ B) cleat wiring  
D) wood casing wiring.

139. Copper is mostly used as conductors because

- A) its electrical conductivity is high    B) it is tough, durable & ductile  
C) it withstands dampness     D) All of these.

140. Linked main switch and fuse unit provided in one unit is called

- A) Switch fuse    B) Iron clad  
C) Cable    D) Neutral link.

141. The amount of luminous energy emanating from 1 sq.m of surface on the sphere is referred as

- A) amen    B) omen  
 C) lumen    D) tungsten.

142. Number of modular bricks in 5 cubic metres of brick work is

- A) 250     B) 2,500  
C) 25,000    D) none of these.

143. Net annual letting value of a property, which is obtained after deducting the amount of yearly repairs from gross income is called

- A) Annuity    B) Sinking fund  
C) Capitalized value     D) Rateable value.

144. In estimation, wood work is computed in

- A) square metre    B) metre  
 C) cubic metre    D) none of these.

145. .... % is added for contingencies in abstract of estimated cost.

- A) 5 - 6%    B) 2 - 3%  
C) 7 - 8%     D) 3 - 5%.



146. The proportion of cement concrete in foundation is

A) 1 : 6 : 8

B) 1 : 3 : 4

C) 1 : 4 : 8

D) 1 : 2 : 3.

147. Thickness of plastering is

A)  $\frac{1''}{4}$

B)  $\frac{1''}{2}$

C) 6''

D) 5''.

148. R.C.C. in building construction means

A) raw copper cables

B) reinforced cement castings

C) rubber canonised capsule

D) reinforced cement concrete.

149. Identify the formula which gives cost index.

A)  $\frac{\sum P_1 Q_2}{\sum P_2 Q_2} \times 100$

B)  $\frac{\sum P_1 Q_2}{\sum P_2 Q_2} \times \frac{\sum P_1 Q_1}{\sum P_2 Q_1} \times 100$

C)  $\frac{\sum Q_1 P_2}{\sum Q_2 P_1} \times 100$

D) none of these.

150. A typical 'bay' is

A) centre to centre between two consecutive columns

B) music bay

C) the bay in the sea

D) none of these.

151. Clauses which relate to the work as a whole written in a separate contract document are known as

A) Arbitrations

B) Mutual contracts

C) Conditions of contract

D) Gentleman's agreements.

152. The cost for brick work up to plinth for a single storey house may be approximately

A) 5 per cent

B) 5.5 per cent

C) 5.3 per cent

D) 5.4 per cent.

153. Which of the following is the most correct estimate ?

- A) Plinth Area Estimate  
B) Cube Rate Estimate  
 C) Detailed Estimate  
D) Building Cost under estimate.

154. Working out the exact quantities of various items of work is known as

- A) Estimating  
B)  Quantity surveying  
C) Mensuration  
D) Valuation.

155. Capital cost is

- A) total cost of building  
B) cost involved in material and site purchase  
C) cost offered to provisional services  
D) none of these.

156. How to calculate the quantity of brickwork for the footings in foundation diagram ?

- A) Taking breadth of the entire foundation  
B) Taking breadth of the lowest footing  
 C) Taking the average of first and last footing  
D) Taking the breadth of the first footing.

157. Calculate the quantity of brickwork for the room 4 m × 3 m with doorway of 1.20 m × 2.10 m.

( Height of the room is 3m,

Wall thickness is 0.30m )

- A) 12 cu.m  
B)  12.924 cu.m  
C) 13 cu.m  
D) 10 cu.m.

158. Find out the cost of plastering for the free standing wall of 4 m length and 3 m height and 0.2 m thickness. The rate per square metre for plastering is Rs. 15.

- A) Rs. 378  
B) Rs. 360  
C) Rs. 540  
D) Rs. 387.



167. The pattern of road network in Chandigarh is

- A) Grid iron  
B) Radial  
C) Organic  
D) Radio-centric.

168. Household is the number of

- A) bedrooms in a house  
 B) persons staying together and taking meals from the same kitchen  
C) servants in the house  
D) persons doing household work.

169. Which one of the following statements is not a criteria for defining an urban area ?

- A) Having a population of 5,000 as minimum  
B) Density per square km would be a minimum of 400  
C) at least 75% of male working force are engaged in non-agricultural pursuits  
 D) total area of not less than 20 sq. km.

170. According to Mansara Shilpa Shastra, flower shaped town plan is mentioned as

- A) Palma  
 B) Nandyavarta  
C) Prastara  
D) Karmukha.

171. 'Necropolis' indicates

- A) the town serving as capital of state or region  
B) the well developed and fully saturated town  
C) the first stage of decline of a town  
 D) the worst stage of deterioration of a town.

172. The concept of Garden City was given by

- A) Sir Patric Geddes  
 B) Sir Ebenezer Howard  
C) Lewis Mumford  
D) Griffith Taylor.

173. The proponent of city beautiful movement is

- A) Patric Abercrombie  
B) Ebenezer Howard  
C) F.L. Wright  
D) Le Corbusier.

174. Recommendation of National Commission of Urbanization for India is
- A) low rise low density development
  - B) low rise high density development
  - C) high rise high density development
  - D) super block development.
175. Subdivision control deals with
- A) division of city into various zones
  - B) controlling the amount of open spaces
  - C) division of land into various plots
  - D) controlling the height of structure.
176. Historical and ancient cities of South India were planned in a ..... grid in shape.
- A) triangular
  - B) concentric circular
  - C) free
  - D) rectangular.
177. The important unit of measurement controlling the volume of built-up area in urban areas is
- A) floor area ratio
  - B) floor space index
  - C) carpet area index
  - D) super built-up area.
178. An area of certain building, excluding its walls, passages, corridors, store & toilets is called as
- A) super built-up area
  - B) floor area
  - C) plinth area
  - D) carpet area.
179. The common terminology used to describe Local Governance, e.g. corporation, municipality, town panchayat, village panchayat etc. is
- A) Local Development Agency (LDA)
  - B) Local Planning Authority (LPA)
  - C) Limited Control Authority (LCA)
  - D) Commissionerate (CO).

180. The architectural control is to

- A) control the density of the buildings
- B) control the landuse
- C) control the building height
- D) control the character of the building facade.

181. To reverse the previous offset

- A) Undo
- B) Edit
- C) Change
- D) Redo.

182. Which of the following is a draw command ?

- A) Block
- B) Extend
- C) Move
- D) Stretch.

183. Sketch-up is

- A) autocad command
- B) a new version of autocad
- C) a new software
- D) none of these.

184. To start using the autocad for drafting

- A) the screen limits have to be set first
- B) the units have to be set first
- C) zoom the screen
- D) pan the screen.

185. The device in computer which stores all the data worked out is called

- A) Monitor
- B) UPS
- C) Keyboard
- D) CPU.

186. The method of draw a line with reference to the origin ( 0, 0 ) is called

- A) absolute co-ordinate system
- B) relative rectangular co-ordinate system
- C) relative polar co-ordinate system
- D) none of these.

187. To make the cursor move only in horizontal & vertical directions, the command used is

- A) Grid  
B) Osnap  
C) Chamfer  
D) Ortho.

188. To bring back the object erased by the last erase command, we use

- A) Redraw  
B) Offset  
C) Zoom  
D) Oops.

189. C.A.M. is used in the application of ..... in industries.

- A) Computer Automated Manual  
B) Controlled & Automated Machine  
C) Chartered Architect's Manual  
D) Computer Aided Manufacturing.

190. Autocad is a

- A) Hardware  
B) Software Training Programme  
C) Software Language  
D) none of these.

191. C.A.T. is

- A) Computer Automated Travelogue  
B) Computer Automated Training  
C) Computer Aided Treatment  
D) Computer Aided Testing.

192. A portion of a surface that can have different attributes and by setting curves on an original surface is a

- A) Hummer  
B) Dimmer  
C) Trimmer  
D) Bend-up.

193. Which of the following commands comes under "modify" option in Autocad ?

- A) Scale  
B) Stretch  
C) Trim  
D) Hatch.

194. Which one of the following options is false, when a layer is turned off ?

- A) It is invisible in all viewports screen
- B) It cannot be plotted
- C) It can be plotted
- D) It is not possible to work in the particular layer.

195. The command used to remove marker blips, left by editing commands is

- A) Redraw
- B) Regen
- C) Redefine
- D) Redo.

196. The command by which an entity's line width can be changed during the construction of the line itself is

- A) Pline
- B) Line width
- C) Chprop
- D) Offset.

197. BASIC is

- A) Programming language
- B) Hardware
- C) System control
- D) All of these.

198. Linux is the

- A) Software package
- B) Operating system
- C) Antivirus software
- D) None of these.

199. X line in autocad command is

- A) reference line
- B) external file drawing
- C) construction line
- D) all of these.

200. Use of offset snap is

- A) to copy the objects
- B) to make multiple copies
- C) to create another similar object with the specified distance
- D) all of these.

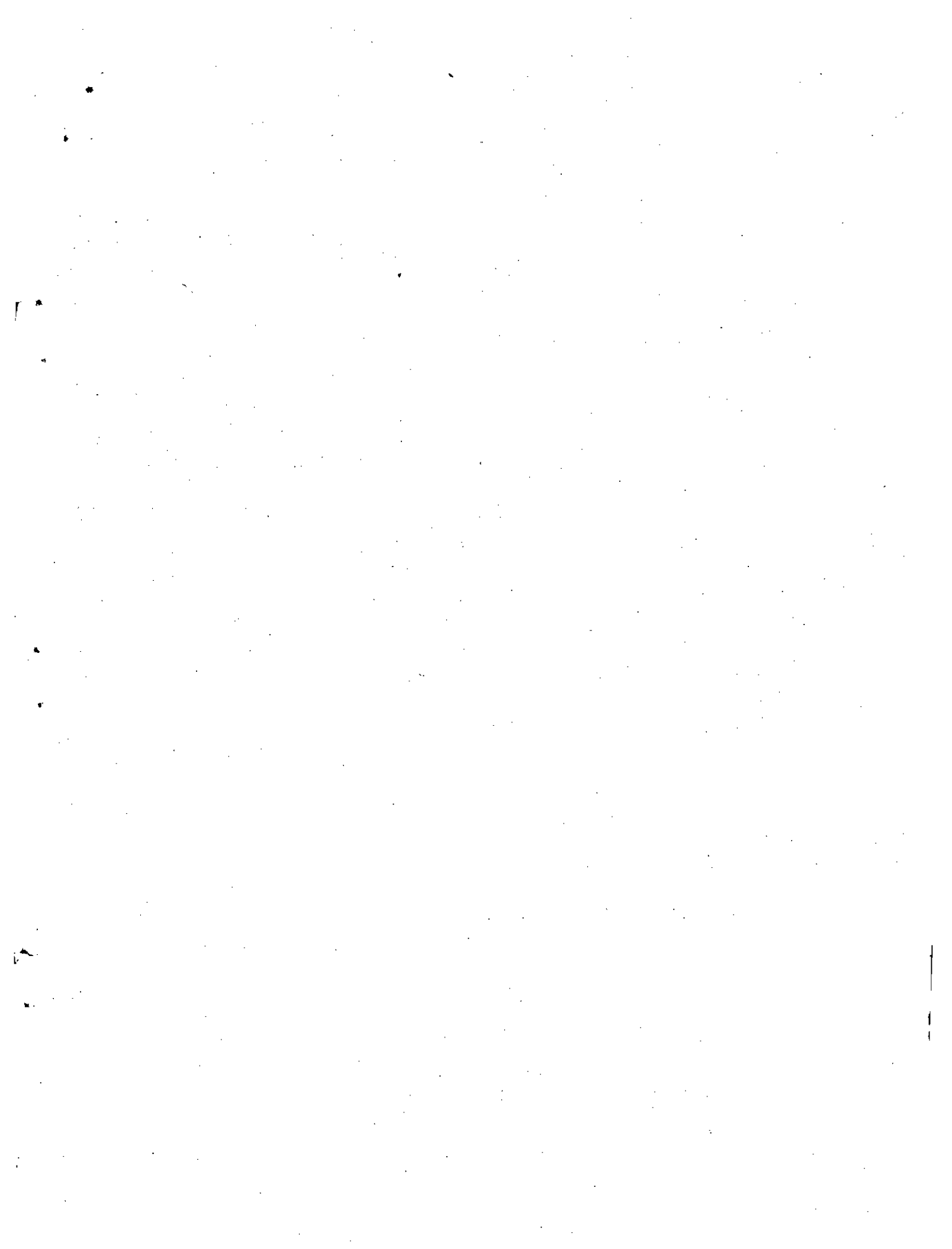


( SPACE FOR ROUGH WORK )

**DIAA**

**34**

**( SPACE FOR ROUGH WORK )**



Tear here ✕

UNTIL YOU ARE ASKED TO DO SO

COVER OF THE QUESTION BOOKLET

DO NOT WRITE OR MARK

ON THIS PAGE